



RDI Series Rupture Disk Indicator

Over pressure or discharge indication for rupture disk and safety relief valve applications

The Rupture Disk Indicator RDI is a simple and effective means of indicating when the process media ruptures a disk or opens a safety relief valve.

Operation

The RDI installs onto the vent side of a rupture disk assembly or onto the discharge side of a relief valve. Upon rupture of the disk or discharge of the relief valve, the RDI alarm circuit is opened by the flowing media.

Features

- One time use, LOW COST
- Sizes 1" thru 24"
- Compatible with Metal or Graphite Rupture Disks or for stand alone use (relief valve applications)
- Resistant to most chemicals
- Minimizes downtime due to immediate burst indication
- Supplied ready for installation
- Installs easily into existing pipe systems
- Furnished with attached 6 foot PTFE sheathed lead wire (cable)
- No routine maintenance required
- Installs on outlet side of rupture disk or rupture disk holder isolating the RDI from the process media

Materials

Gaskets – Compressed fiber

Membrane – Kapton®

Conductive material – Silver

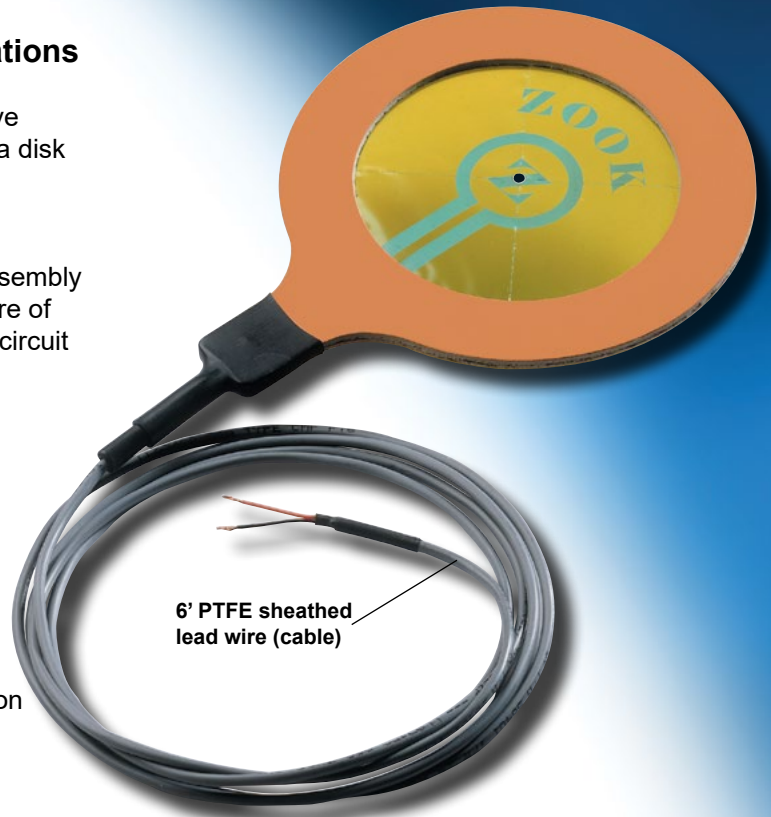
Leadwire – 6 foot, 24 AWG, 2 conductor
PTFE sheathed leadwire (cable)

RDI Operating Limits	
Max. Voltage	24 VDC
Max. Current	150 mA
Temp. Range	-40 to +392°F

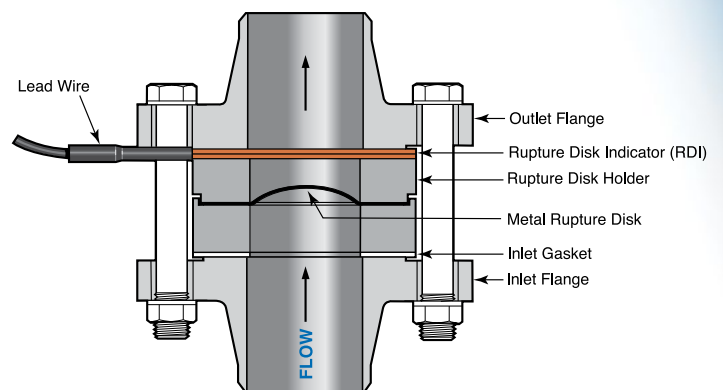
Specifications

Disk Size	Minimum Burst Pressure* psi @ 72°F (22°C)	Nominal Indicator Thickness
1" - 2"	5	3/16"
3"	3	
4"	2	
6" - 24"	1	

KAPTON - Registered TM DuPont



Typical Installation



Note: RDI is considered a simple device, therefore, approval is not required. Installation must be in accordance with ANSI/ISA RP12.6 and the NEC (ANSI/NFPA 70)

Ordering Information

When ordering RDI, specify: flange size, flange series, relieving pressure of pressure relief device, and coincident temperature.

Contact ZOOK for stocked sizes ready for immediate shipment



Safety through **knowledge** and **performance**.

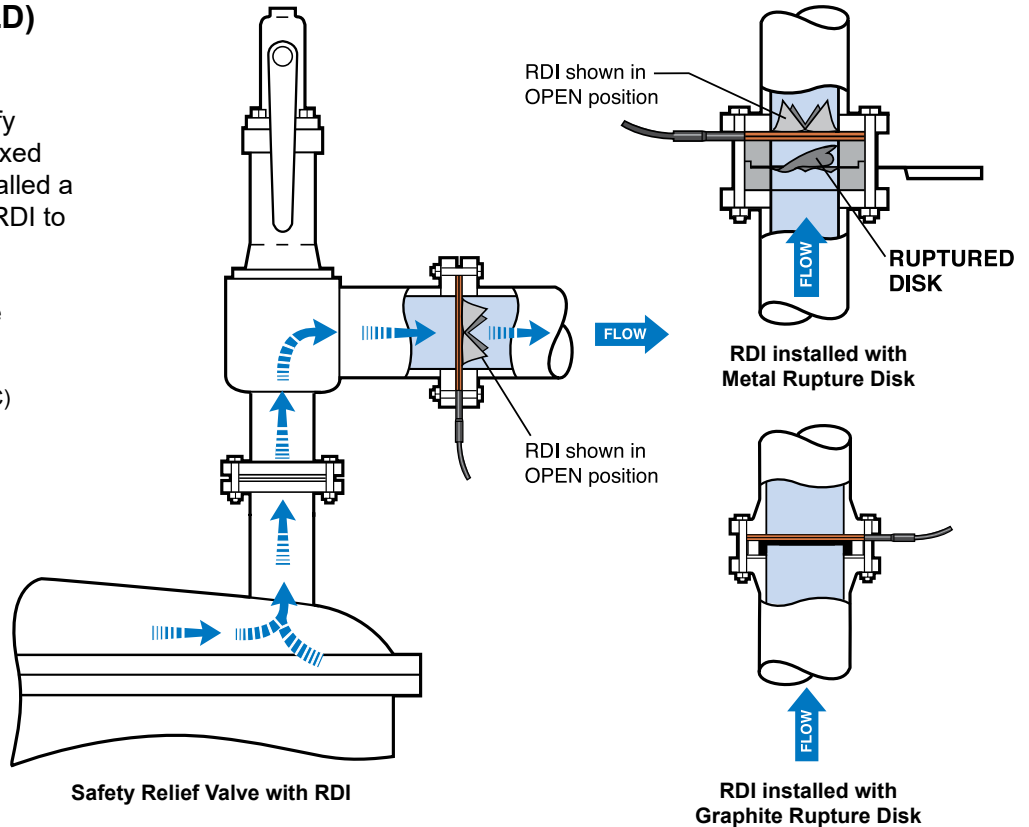
RDI Series Specifications

Optional Leak Detector (LD) for RDI Burst Sensor

For optional leak detection specify RDILD. The LD is a TFE seal affixed between two gaskets. When installed a build-up in pressure causes the RDI to open the electrical circuit.

The LD is always installed on the pressure side of the RDI.

Note: Max. Temperature of 500°F (260°C)
Limitation of liner material

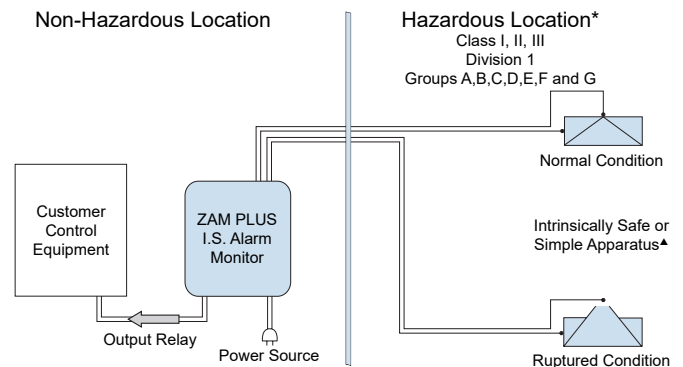


Monitor

The RDI Rupture Disk Indicator works with ZOOK ZAM Plus Alarm Monitor or any other monitoring system. Contact ZOOK for additional information. The monitor wired to the RDI will be activated providing immediate local or remote warning of a ruptured disk. The ZAM Plus monitor allows output to control pumps, valves, and other equipment which may be activated to control or shutdown a process.

CAUTION

The RDI is an electrical device suitable for use in hazardous locations (Class I, II, and III, Division 1 and 2, Group A thru G) provided that it is used with an approved intrinsically safe electrical alarm monitor. For services involving highly electrically conductive fluids, contact ZOOK for this type of application.



Notes:

*Contact ZOOK for information about mounting the ZAM Plus Alarm Monitor in hazardous locations.

▲Hazardous location equipment must be NEC compliant or simple apparatus.



RDI_012018

Visit us at www.zookdisk.com

SERVING AMERICA, CENTRAL & SOUTH AMERICA

16809 Park Circle Drive
Chagrin Falls, Ohio 44022
United States

Toll Free: +1 800 543 1043

Phone: +1 440 543 1010

Fax: +1 440 543 4930

E-mail: sales@zookdisk.com

SERVING EUROPE, MIDDLE EAST & AFRICA

Navigation House, Bridge St.
Killamarsh, Sheffield, S21 1AL
United Kingdom

Phone: +44 (0) 1909 560999

Fax: +44 (0) 1909 560860

E-mail: sales.europe@zookdisk.com

SERVING CANADA

4400 South Service Road
Burlington, Ontario, L7L 5R8
Canada

Toll Free: +1 800 370 6057

Phone: +1 905 681 2885

Fax: +1 905 681 8838

E-mail: sales.canada@zookdisk.com

SERVING ASIA PACIFIC

Unit No. 23A-05, Menara Landmark
No.12, Jalan Ngee Heng
80000 Johor Bahru, Johor,
Malaysia

Phone: +60 (7) 2910099

Fax: +60 (7) 2910096

E-mail: sales.asia@zookdisk.com



Safety through knowledge and performance.